

NI39 0001 (TP NI 39 id) Technical Information



Flow tested at
60 l/min

Contents of package

Description	No of Units	Description	No of Units
Main Unit	1	No. of Grub Screws (each size)	2
Security Collar	1	Rubber Seal	N/A
External C-Clip	N/A	Internal C-Clip	N/A
Fitting Instructions	1		

Technical details

Description	Type	Description	Type
Type of neck Fitting	Internal	Material	Steel

Technical Specifications of the Grub Screws

Description	Measurements	Description	Measurements
Thread	M6	Length of Grub Screws	10mm

Technical Specifications of the Seal (if applicable)

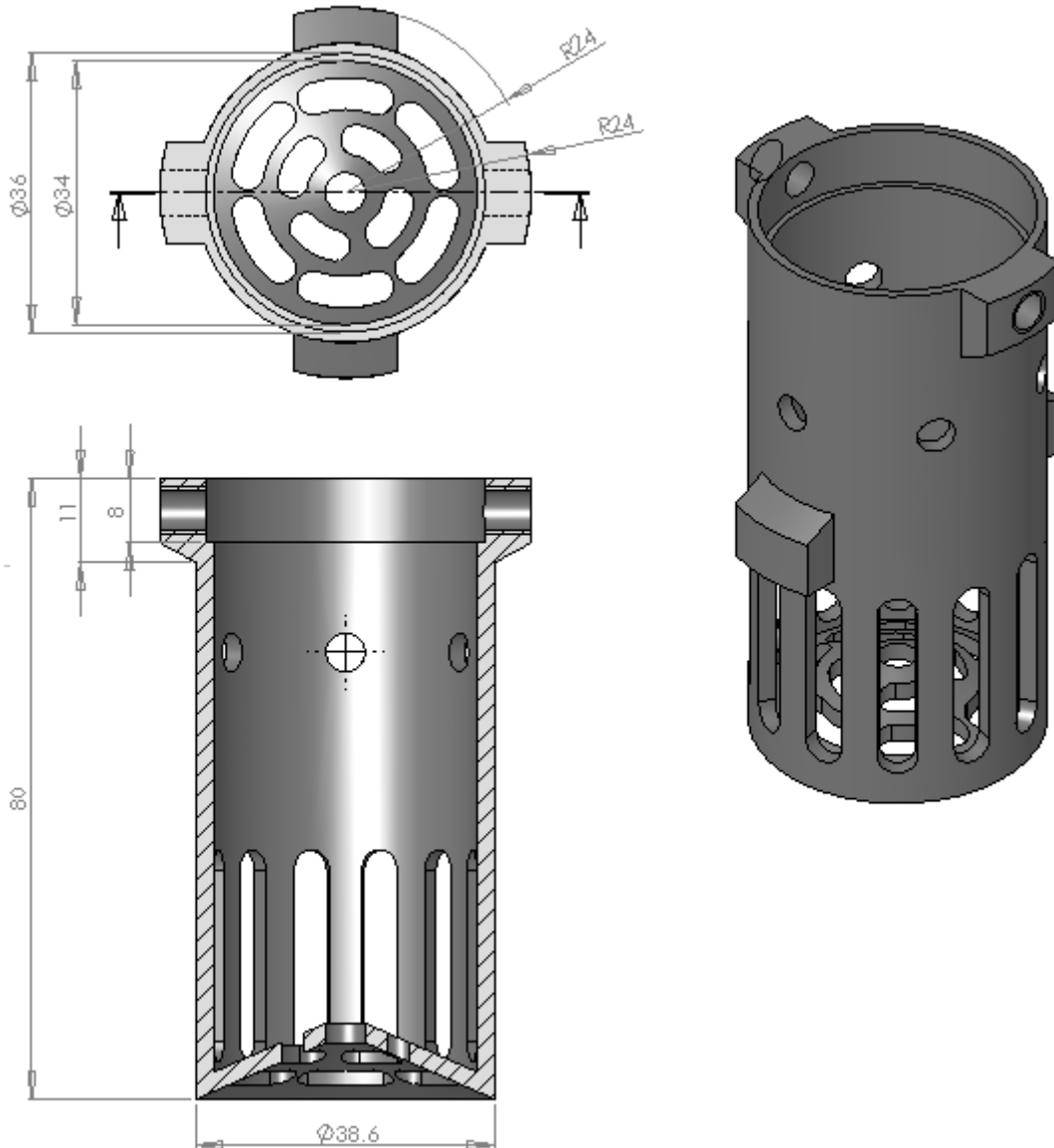
Description	Description	Description	Description
Material Used	N/A	Thickness of Seal	N/A

Specifications of the Packaged Product / Carton / Pallet

No. of Units within an outer carton		Number of Cartons per Pallet	
Weight per Individual Boxed Unit		Dimensions of a packaged unit	
Weight of outer carton		Dimensions of outer carton	
Weight of pallet		Dimensions of pallet	



NI39 0001 (TP NI 39 id) Technical Information



Vans Fitted

Manufacturer	Models
Mercedes	Sprinter 2001-2006 Sprinter 2009 onwards (Euro 5)
Volkswagon	Caddy and Crafter

