



**Flow tested at  
30 Gal  
(US)/min**

**Contents of package**

Description	No of Units	Description	No of Units
Main Unit	1	No. of Grub Screws (each size)	3
Security Collar	1	Rubber Seal	N/A
External C-Clip	1	Internal C-Clip	1
Standard Red Ratchet	1	Hex Bit for Red Ratchet	1
Fitting Instructions	1	Assembly Kit	1
Fitment Ring Segment	2	Fishing Wire (for assembly)	3

**Technical details**

Description	Type	Description	
Type of neck Fitting	Internal	Material	Aluminium

**Technical Specifications of the Grub Screws**

Description	Measurements	Description	Measurements
Thread	¼" UNC	Length of Grub Screws	1"

**Technical Specifications of the Seal (if applicable)**

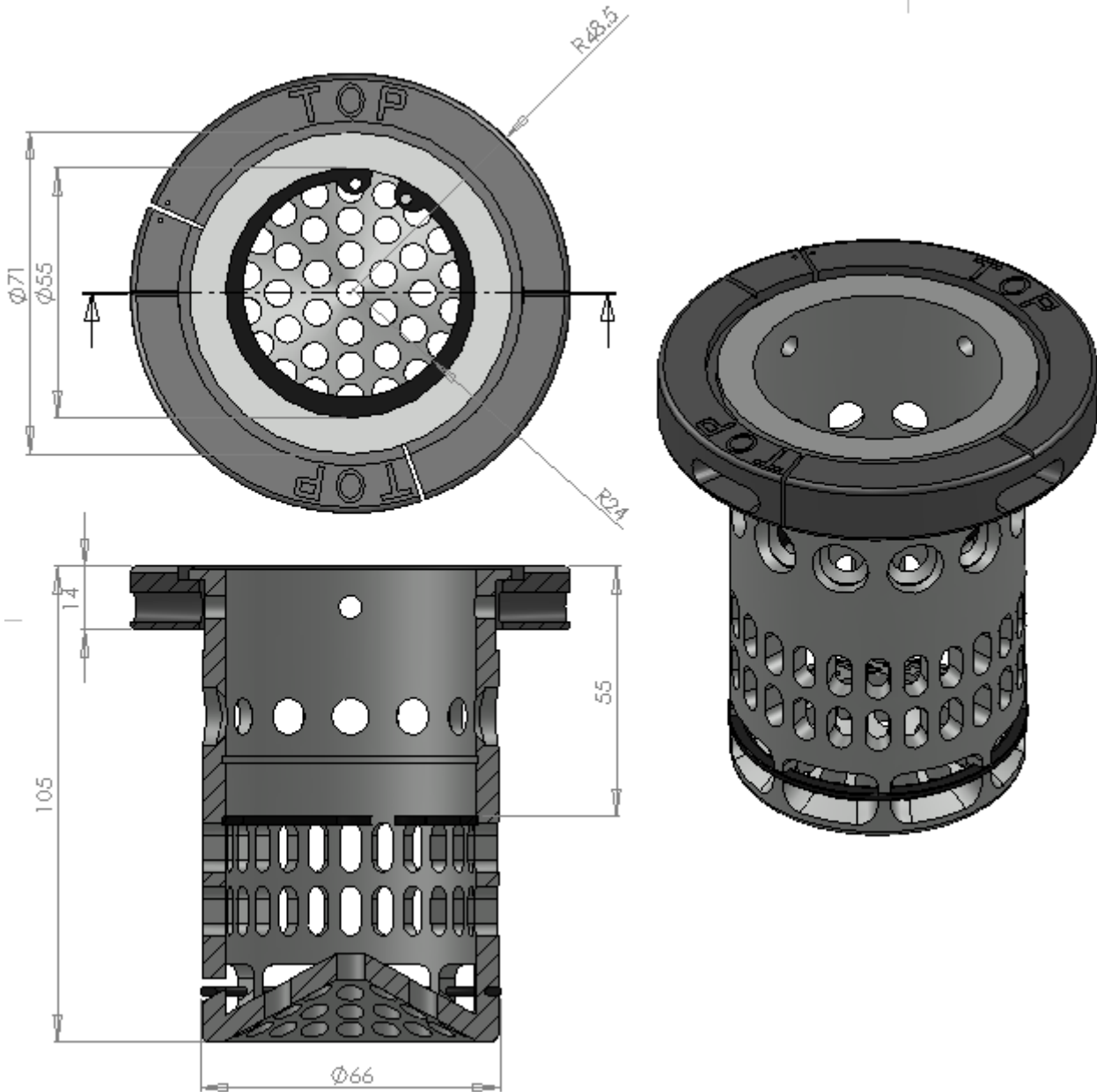
Description		Description	
Material Used	N/A	Thickness of Seal	N/A

**Specifications of the Packaged Product / Carton / Pallet**

No. of Units within an outer carton	7	Number of Cartons per Pallet	16
Weight per Individual Boxed Unit	0.55kg	Dimensions of a packaged unit	115x115x130mm
Weight of outer carton	4.4kg	Dimensions of outer carton	840x135x150mm
Weight of pallet	85kg	Dimensions of pallet	1000x600x620mm



# NI77 0001 (TP Ni PBi) Technical Information



## Models Fitted

Manufacturer	Models
Peterbilt	320, 335, 340, 365, 367, 384, 386, 387, 388, 389

[www.FuelDefend.com](http://www.FuelDefend.com)  
[info@FuelDefend.com](mailto:info@FuelDefend.com)

