

# TP NI 80 id (NI80 0001) Technical Information



## Contents of package

Description	No of Units	Description	No of Units
Main Unit	1	No. of Grub Screws (each size)	4
Security Collar	1	Rubber Seal	1
External C-Clip	1	Internal C-Clip	N/A
Fitting Instructions	1		

## Technical details

Description	Type	Description	
Type of neck Fitting	Double Bayonet	Material	Aluminium

## Technical Specifications of the Grub Screws

Description	Measurements	Description	Measurements
Thread	M6	Length of Grub Screws	25mm

## Technical Specifications of the Seal (if applicable)

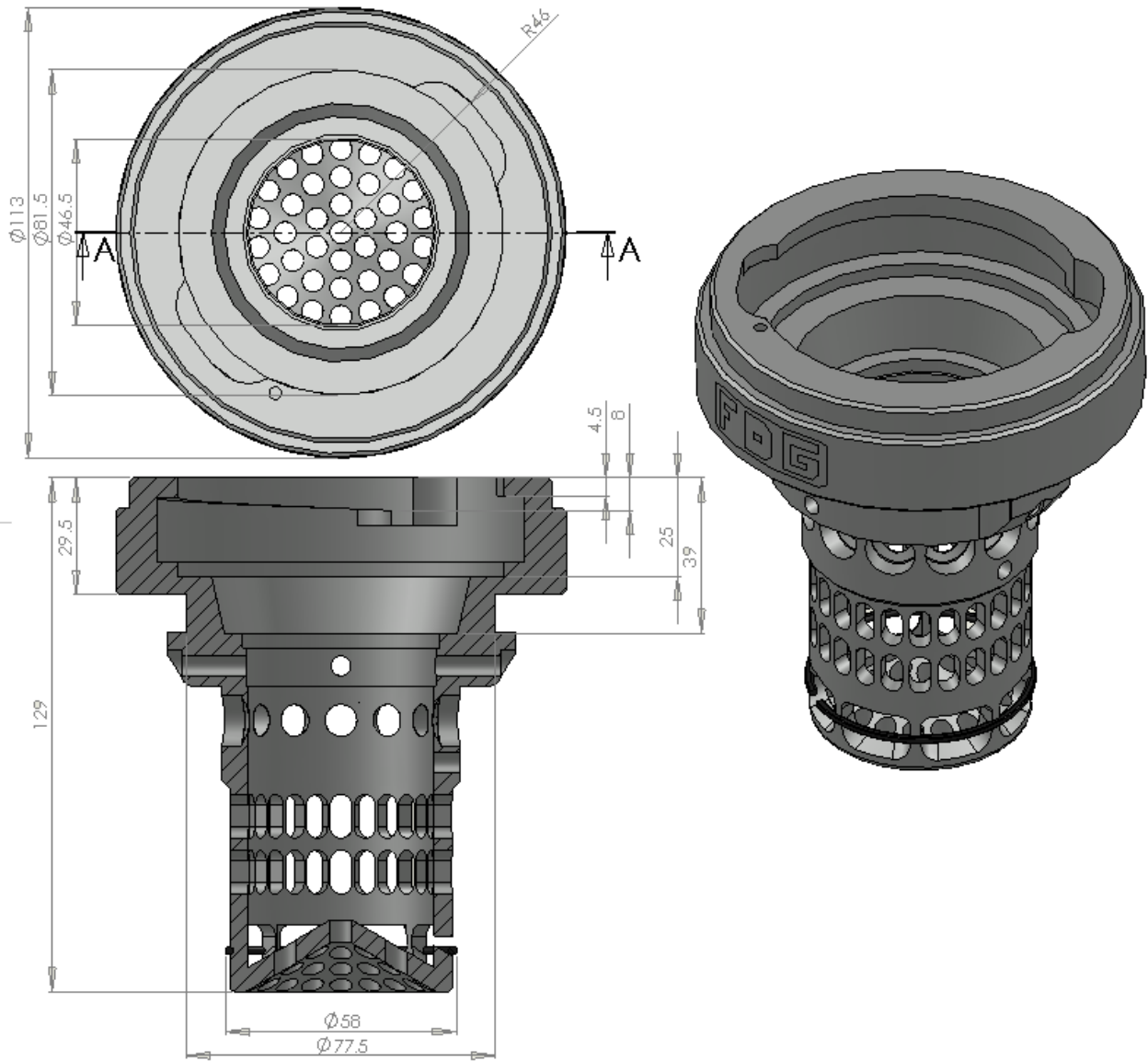
Description		Description	
Material Used	Viton	Thickness of Seal	2mm

## Specifications of the Packaged Product / Carton / Pallet

No. of Units within an outer carton	8	Number of Cartons per Pallet	64
Weight per Individual Boxed Unit	0.69kg	Dimensions of a packaged unit	122x122x145mm
Weight of outer carton	6kg	Dimensions of outer carton	505x270x175mm
Weight of pallet	400kg	Dimensions of pallet	1200x1000x1520mm



# TP NI 80 id (NI80 0001) Technical Information



## Trucks Fitted

Manufacturer	Models
DAF	CF65, CF75, CF85, XF95, XF105, 250 (Spectra)
IVECO	Stralis, EuroCargo, EuroStar, EuroTec, Trakker
Renault	Premium, Magnum, Midlum (Metal Tank), Kerax
Volvo	F12, F16, FH, FM, NH, FL6
MAN	All Models (including Neoplan)
Mercedes	All Mercedes trucks/busses including vehicles with a plastic fuel tank
ERF	ECT
BOVA	



## TP NI 80 id (NI80 0001) Technical Information

Plant Machinery Fitted	
Manufacturer	Models (where tank neck space is restricted)
Hitachi	ZX250
Volvo	EC290, L110E
Liebherr	A904, R904, HDSC, L580
Ammann	ASC150

